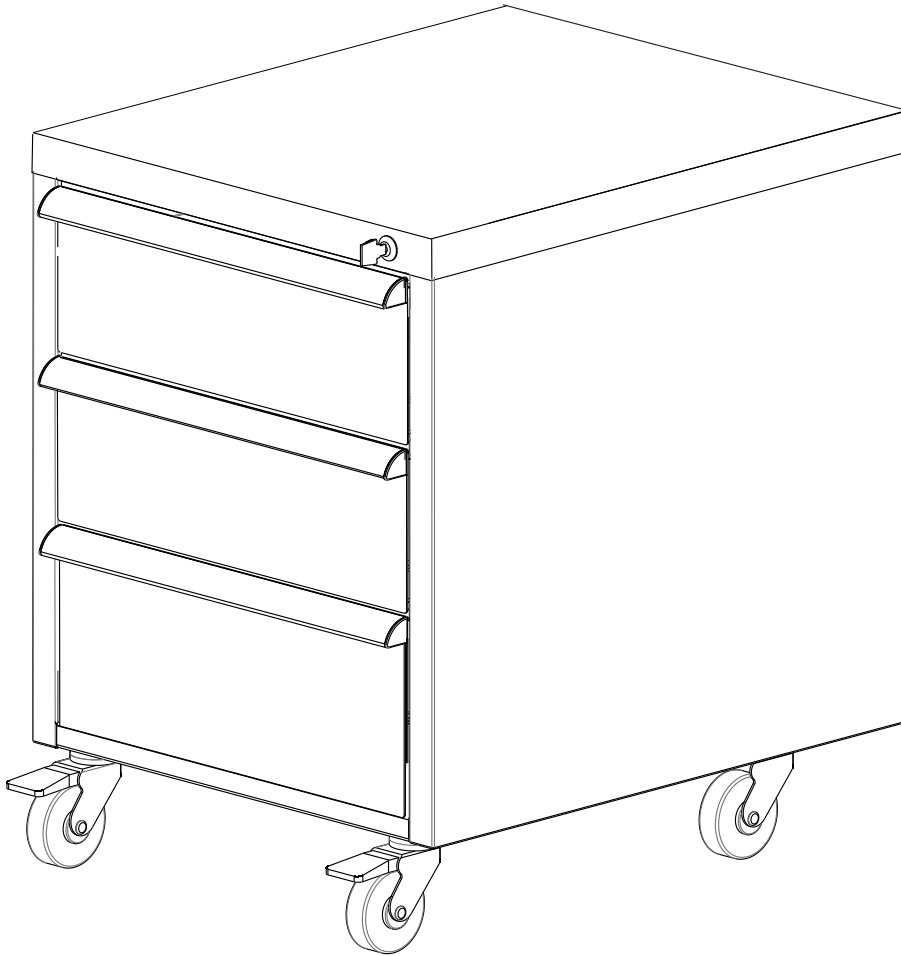
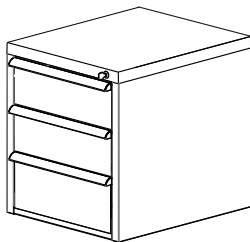


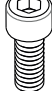
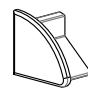
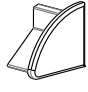

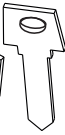


VIKING



1x
TP-01/S



4x 1.1.912.8x20 	2x 2.2.1S if ESD 2.2.5S	2x 2.2.2 if ESD 2.2.6	3x 2.1.13  	 
--	---	---------------------------------------	---	---

1

